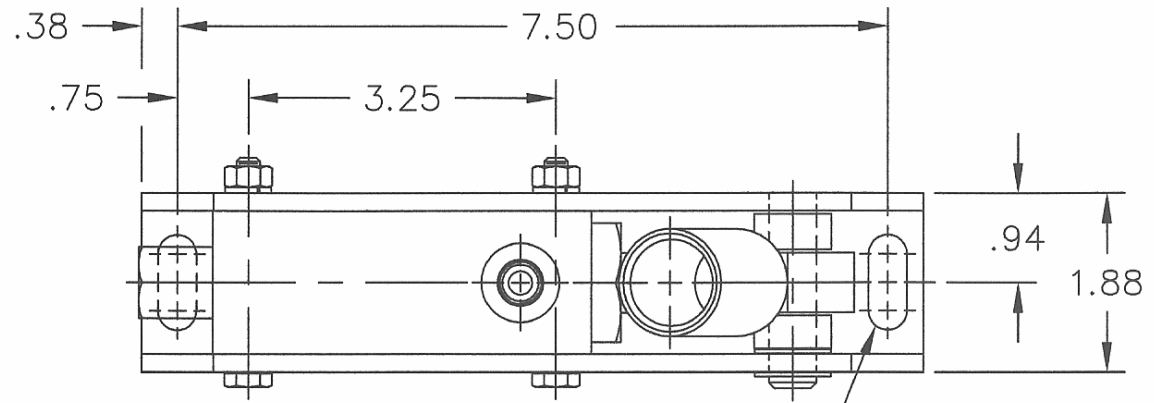


Star Hydraulics, LLC
 Model PDA-1
 Double Acting Hand Pump
 4000 PSI Maximum Pressure
 .75 cu." Volume per Cycle
 Lever Force per 1000 PSI = 16 lbs.
 Net Weight 5 lbs.

No Overload or Release Valve



MOUNTING HOLES (2)
 .41 x 1.00 LG. SLOT

INTAKE PORT
 No. 6 SAE O-RING PORT
 (.5625-18 UNF-2B)

OUTLET PORT
 No. 4 SAE O-RING PORT
 (.4375-20 UNF-2B)

