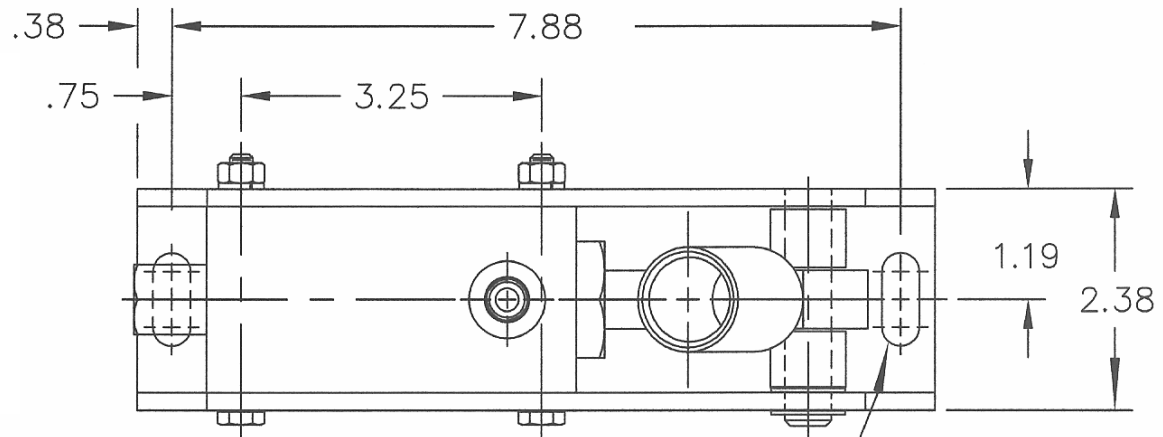


Star Hydraulics, LLC  
 Model PDA-2  
 Double Acting Hand Pump  
 2000 PSI Maximum Pressure  
 1.5 cu." Volume per Cycle  
 Lever Force per 1000 PSI = 39 lbs.  
 Net Weight 7 lbs.

No Overload or Release Valve



MOUNTING HOLES (2)  
 .41 x 1.00 LG. SLOT

INTAKE PORT  
 No. 6 SAE O-RING PORT  
 (.5625-18 UNF-2B)

OUTLET PORT  
 No. 4 SAE O-RING PORT  
 (.4375-20 UNF-2B)

